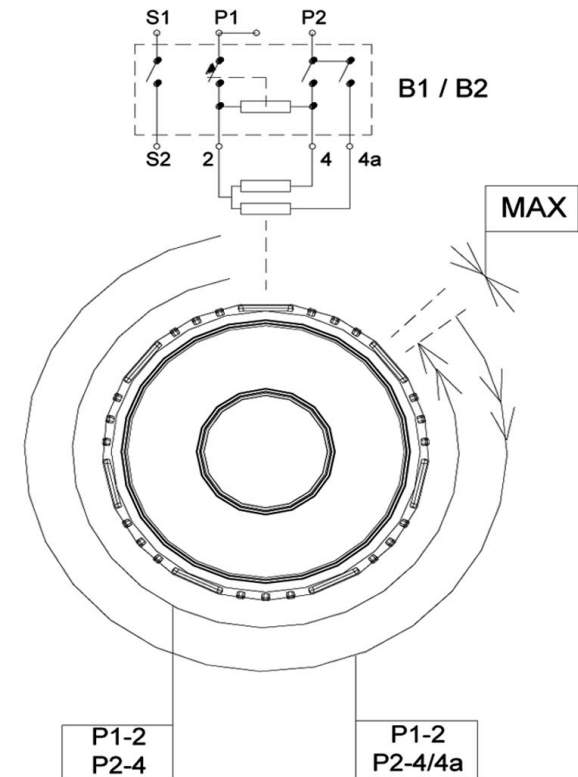
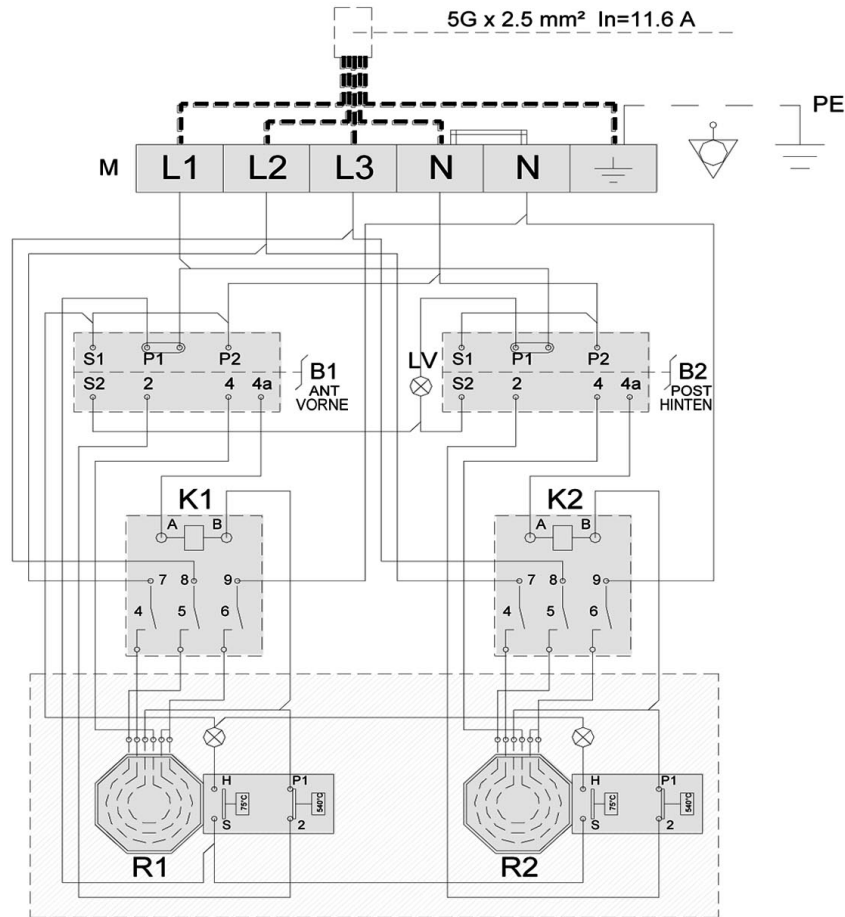


380-415V 3N~ 50/60Hz

5G x 2.5 mm² In=11.6 A



ALIMENTAZIONE STROMVERSORGUNG/POWER SUPPLY	380-415V 3N~ 50/60Hz	LV = LAMPADA VERDE KONTROLLAME GRÜN/GREEN IND. LIGHT	SIGNAL LUX Mod 21.3 230V (T120) Silicon Leads
K1, K2=RELE' RELAIS/RELAY	FINDER 62.83.8.230.0300 3NO=3mm	R1, R2 = RESISTENZE HEIZKÖRPER/HEATING ELEMENT	ø280 1.333x3=4000W 230V
M=MORSETTIERA ANSCHLUSSKLEMME/TERMINAL CLAMP	FV122 6 POLI - 40 A - 450 V	CABLÄGGIO ANSCHLUSSKABEL/POWER CORD	CAVO H05SJ-K Section 1.5 mmq
B1, B2 = COMMUTATORE SCHALTER/SWITCH	50.55071.100 13A 230V	CABLÄGGIO LAMPADF KABEL F. KONTROLLAMPE/CABLE F. IND. LIGHT	CAVO H05SJ-K Section 0.75 mmq