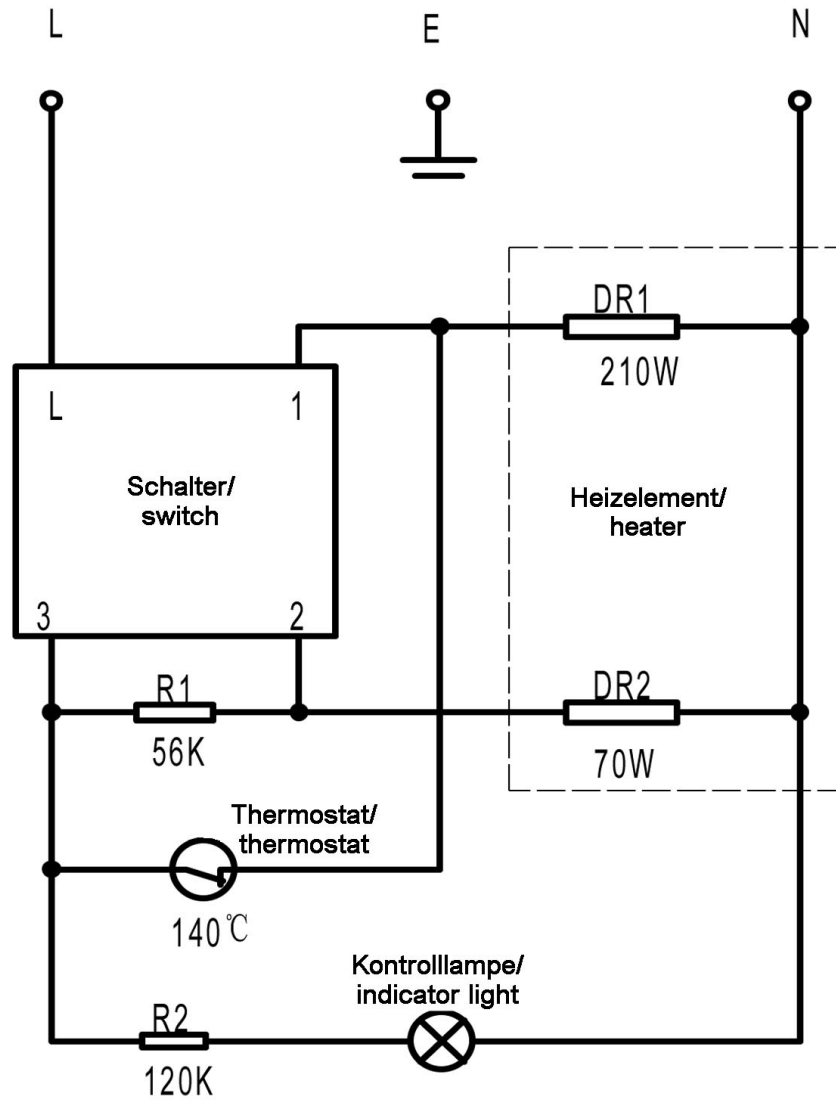


230V AC



Select Position Diagram

terminal grade	L	1	2	3	POWER(W)
OFF	0	1	1	1	0
LOW	1	1	0	1	210
HIGH	1	1	1	0	280
AUTO	1	0	1	1	280 ↔ 70