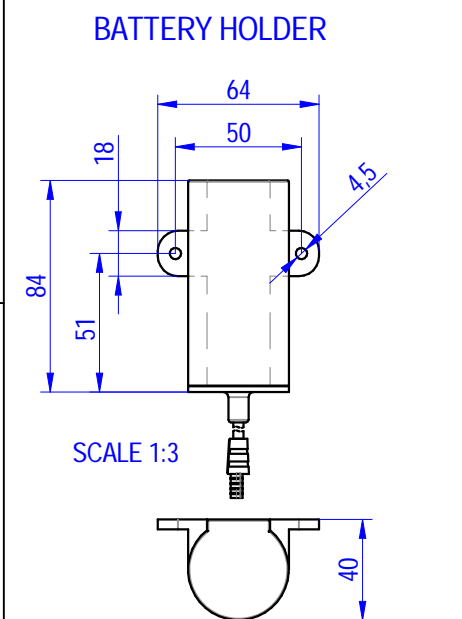
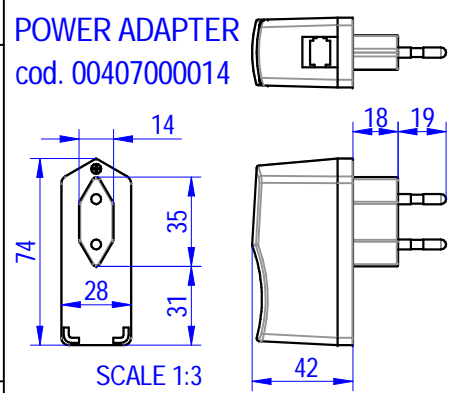


00	---		PICCOLO M.	PICCOLO M.
rev.		CHANGE DESCRIPTION	DATE	DRAWN
				VALIDATE

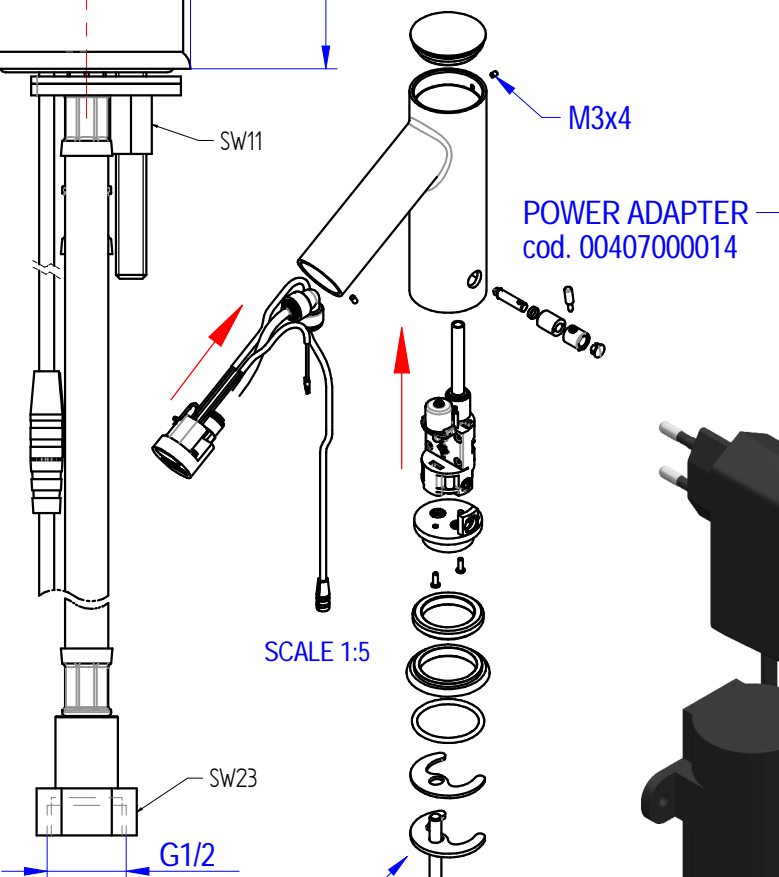
NOT SUPPLIED
 POWER SUPPLY : Alkaline batteries (4x1,5V AA)

A
B
C
D
E
F

A
B
C
D
E
F



POWER SUPPLY JOINTER WITH BATTERY BACK-UP FUNCTION
cod. 00407000022



FIXING KIT FOR KITCHEN SINK
cod. 00306000089

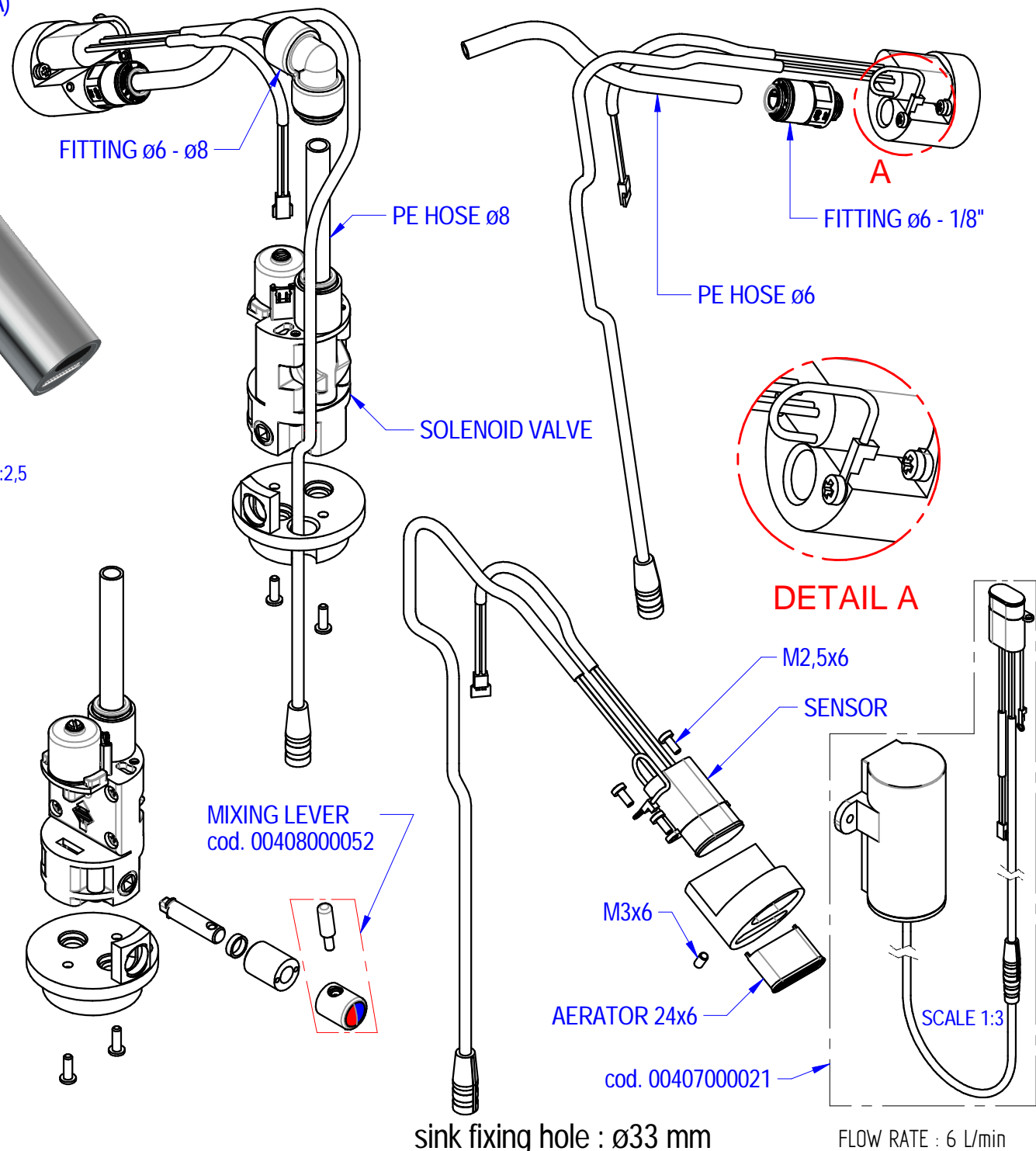
FLEX INOX WITH NON-RETURN VALVE (6 L/min)
M10x1 - G1/2" L=400mm
cod. 00403000108

FLEX INOX WITH NON-RETURN VALVE (6 L/min)
M10x1 - G1/2" L=400mm
cod. 00403000109

CONNECTION : wall plug switching power supply,connection RJ-9
INPUT : 100-240V,50-60Hz,0.1 A

POWER ADAPTER
cod. 00407000014

SCALE 1:2,5



Shares without tolerance according to standard UNI-EN-22768-1-m		DESCRIPTION	CODE
SIZE		PREMIUM LINE INFRARED SENSOR ELECTRONIC BASIN MIXER, RUNNING ON ELECTRICITY 100-240V	ZEUS002/C
A3	European Projection		WEIGHT
DATE	SCALE		1,63 Kg
30-11-2018	12		
DRAWN	PICCOLO M.		
VALIDATE	PICCOLO M.		
		MONOLITH	
		DESIGN AND TECHNOLOGICAL RESEARCH FOR WATER	
		VIA DELL'ARTIGIANO 8/F-8-G , 31050 MONASTIER di TREVISO (TV) tel: 0422 842157 - fax: 0422 708978	
DONE WITH DESIGN CAD - PROHIBITED THE CHANGES MANUAL			

1 2 3 4 5 6 7 8