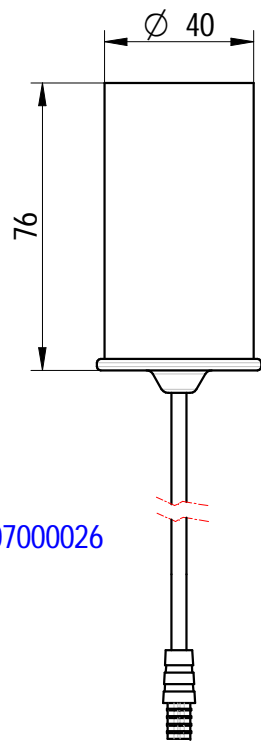
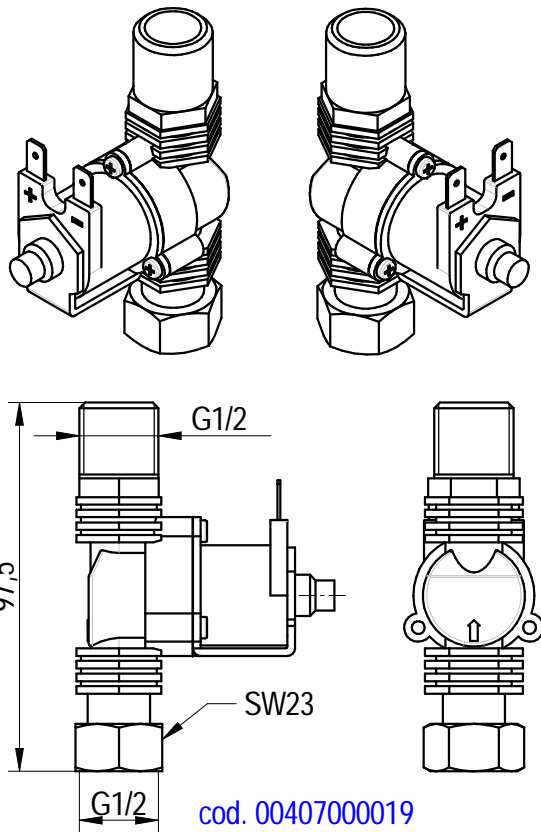


BATTERY HOLDER



cod. 0040700026

SOLENOID VALVE



cod. 0040700019

SWINGING SPOUT
cod. 0060500012

210

273

370

FIXING KIT
cod. 00306000086

Ø 25

Ø 45

95

Ø 55

SW23

G1/2

sink fixing hole : Ø30 mm

FLOW RATE : 8 L/min

Shares without tolerance according to standard UNI-EN-22768-1-m

SIZE A3
European Projection

DATE 10-03-2020
SCALE 1:2

DRAWN PICCOLO M.

VALIDATE PICCOLO M.

DESCRIPTION
PHOTOCELL ELECTRONIC MIXER TAP
WITH SWIVEL NOZZLE, BATTERY POWERED

CODE ZEUS004
WEIGHT 1,79 Kg



VIA DELL'ARTIGIANO 8/F-8-G, 31050 MONASTIER di TREVISO (TV) tel: 0422 842157 - fax: 0422 708978

DONE WITH DESIGN CAD - PROHIBITED THE CHANGES MANUAL

POWER SUPPLY : Alkaline batteries (4x1,5V AA)

Rev. 00