

SILENCE
EXCEPTIONAL
OUTPUT
TURKISH COFFEE

**New
Coffee shop
Special**

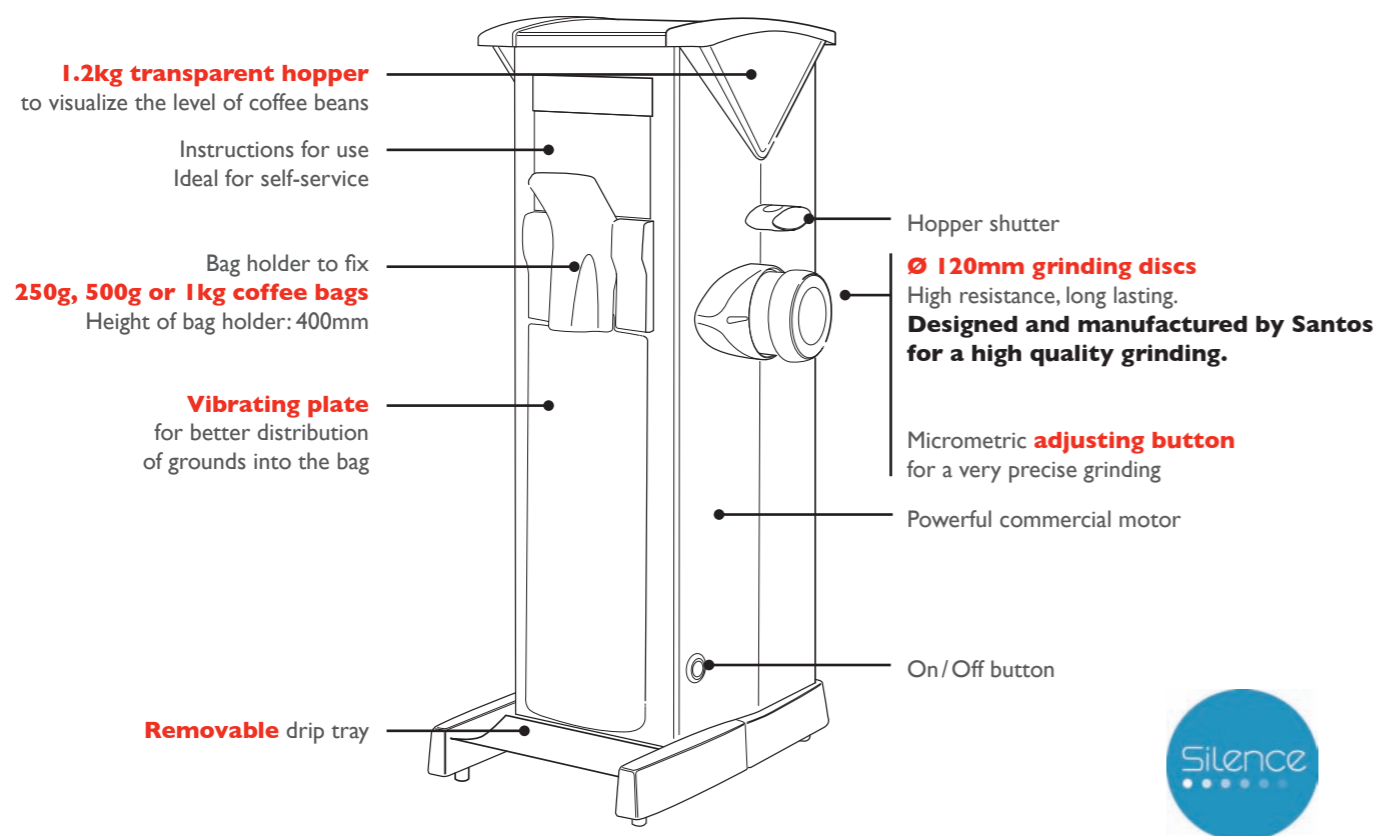
SANTOS



Internationally patented models

EXCEPTIONAL PERFORMANCE

The coffee shop grinder #63 is the ideal appliance for all stores which distribute large quantities of ground coffee: **coffee shops, supermarkets and roasting establishments.** **Fast, precise and reliable,** it makes a quality grinding thanks to its precise setting and its Ø 120mm grinding discs, designed and manufactured by Santos. **Perfect to make turkish coffee.**



THE GRINDER FOR COFFEE SHOPS

Powerful exceptional performance

- Powerful asynchronous motor, very silent. **5-Year warranty**
- **Extremely fast** : max output of 120kg/h.
- Sturdy product, adapted to intensive use.

Precision and quality grinding

- Santos manufactures its own grinding discs to give you a perfect, constant and fine grinding (no burnt coffee effect).
- The triple cut grinding discs (Ø 120mm) **can be resharpened.**
- Very precise **micrometric** setting of the grinding fineness.
- **Makes turkish coffee:** turkish coffee output: 36 kg/h.

Comfort of use

- Accepts all kinds of bags: from 250g to 1kg.
- **Extremely silent** for a great comfort of use.
- Display of instructions on how to use the grinder, ideal for self-service use.

Your grinding discs can be resharpened

You have the possibility to resharpen your grinding discs to give them a second life

TECHNICAL SPECIFICATIONS



Motor

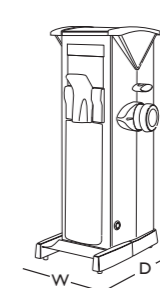
Single phase: 100-120V – 50/60Hz – 1 500W – CE, UL
220-240V – 50/60Hz – 1 500W – CE

Speed: 1 500rpm (50Hz)
1 800rpm (60Hz)

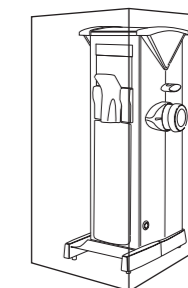


Weight

Net: 40Kg (88 lbs)
Shipping: 49kg (108 lbs)

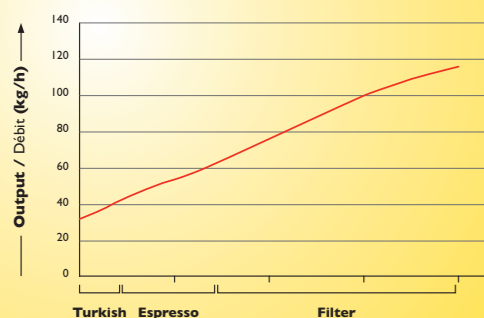


APPLIANCE
W: 279mm (11")
D: 329mm (13")
H: 677mm (27")



SHIPPING BOX
W: 500mm (20")
D: 660mm (26")
H: 880mm (35")

Exceptional Output: up to 120 kg/h



Everything for the coffee shop



Thanks to the espresso coffee grinder #55, the brushless blender #62, the drink mixer #54 and the coffee shop grinder #63, **you have the full coffee shop solution !**

SAFETY, STANDARDS, HYGIENE

In accordance with the following regulations

- Machinery directive 2006 / 42 / EC
- Electromagnetic compatibility 2014 / 30 / EU
- "Low voltage" directive 2014 / 35 / EU
- RoHS directive 2011 / 65 / EU
- Regulation 1935 / 2004 / EC (contact with food)
- Regulation 10 / 2011 / EU (Plastic in contact with food)

Harmonized European Standards

- EN ISO 12100 : 2010
- EN 60204-1 + A1: 2009
- EN 60335-2-64 :2004 Commercial electric kitchen machines
- CE Marking, UL (USA), cUL (Canada)

Electrical Safety

On/Off interlock switch is waterproof.
All mechanical parts are ground connected.
Appliances are 100% tested after assembly.

Thermal Safety

Motor protected by internal thermal detector.

Acoustic Safety

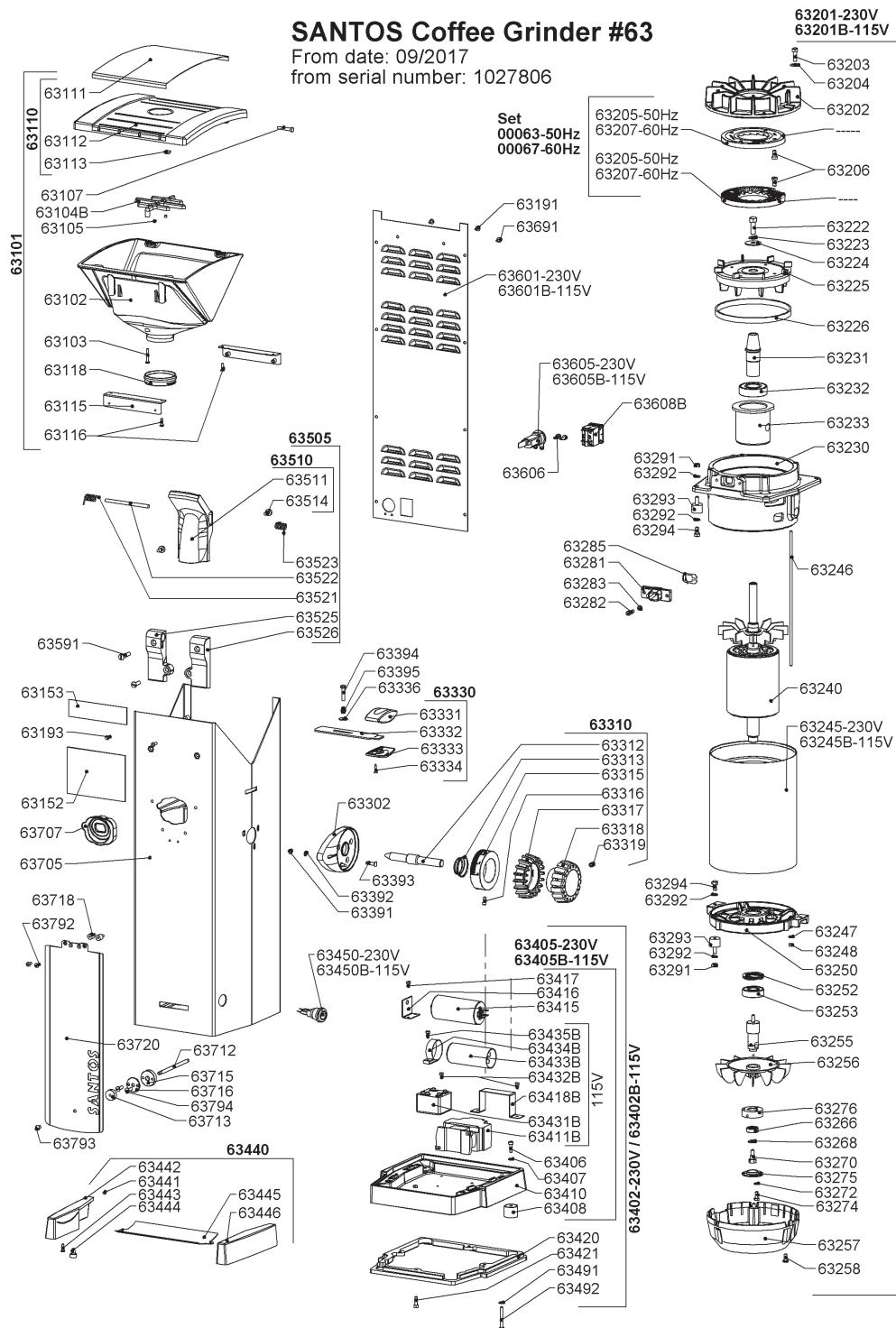
Very silent and powerful asynchronous motor.

Hygiene

All removable parts can be put in a dishwasher or easily cleaned with hot soapy water.

COFFEE SHOP GRINDER #63

www.santos.fr



07/2019 - V5

SANTOS

140-150, avenue Roger Salengro BP 80 067 - 69511 Vaulx-en-Velin Cedex (Lyon) FRANCE
 Tel. +33 4 72 37 35 29 – Fax. +33 4 78 26 58 21 – **Website :** www.santos.fr – **Email :** santos@santos.fr

Follow us on #SantosAddict social networks